

JONES

OF OSWESTRY LTD



Whittington Road, Oswestry, Shropshire. SY11 1HZ
Telephone: 01691 653251 Fax: 01691 670227 / 658222

Standard Product Description

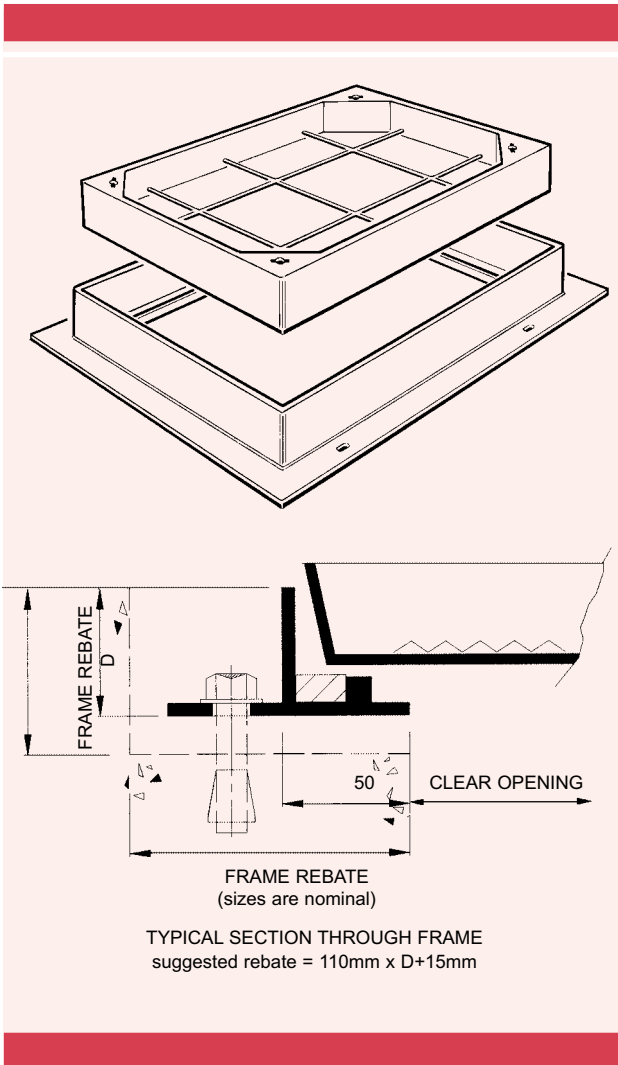
Mild steel single seal recessed single leaf access cover and frame with lifting points.

Materials

Fabricated from heavy gauge steel.

Hot dipped galvanised to minimum B.S.729 in our works.

Optional: Grades 304 or 316 Stainless Steel available upon request.



Product Reference Table

Product Code	Clear Opening (mm)	Overall Frame (mm)	Frame Depth (mm)	
			A Classes	B Class
CIA1/30-30	300 x 300	500 x 500	D = 50mm	D = 80mm
CIA1/45-45	450 x 450	650 x 650		
CIA1/60-45	600 x 450	800 x 650		
CIA1/60-60	600 x 600	800 x 800		
CIA1/75-60	750 x 600	950 x 800		
CIA1/75-75	750 x 750	950 x 950		
CIA1/90-60	900 x 600	1100 x 800		
CIA1/90-90	900 x 900	1100 x 1100		
CIA1/100-100	1000 x 1000	1200 x 1200		
CIA1/SP	*SPECIFY	*SPECIFY		

*Alternative sizes available upon request

Typical Accessory Suffixes

A2 Double Seal B4 Locking down screws E1 Stainless Steel Edging

A3 Plain Seated B3 Turncatch E2 Brass Edging

Lifting Keys required unless noted otherwise

(For full list of fittings and accessories available with this product see Accessory selector table at end of catalogue).

Ordering Example Code

Code CIA1/60-60/AA/A2/B4 = 600 x 600 clear opening, load class AA, Double seal with locking screws. Lifting keys type P4

Date of issue 5/6/98

Guide	Facta Class	EN124 Class	SMWL	GLV	Application
	A	A15	0.5 tonne	1 tonne	Any area accessible to pedestrians or cycles only
	AA	N/A	1.5 tonne	5 tonne	Any area accessible to slow moving private motor cars
	AAA	N/A	2.5 tonne	10 tonne	Any area accessible to slow moving vehicles up to 10 tonnes GLV
	B	B125	5.0 tonne	38 tonne	Any area accessible to slow moving heavy goods vehicles

JONES

OF OSWESTRY LTD



Whittington Road, Oswestry, Shropshire. SY11 1HZ
Telephone: 01691 653251 Fax: 01691 670227 / 658222

Standard Product Description

Mild steel single seal recessed single leaf access cover and frame with lifting points.
All units supplied with locking bolts as standard.

Materials

Fabricated from heavy gauge steel.
Hot dipped galvanised to minimum B.S.729 in our works.
Optional: Grades 304 or 316 Stainless Steel available upon request.

Product Reference Table

Product Code	Clear Opening (mm)	Overall Frame (mm)	Frame Depth (mm)	
			C Class	D Class
CIA1/30-30	300 x 300	500 x 500	D = 105mm	D = 105mm
CIA1/45-45	450 x 450	650 x 650		
CIA1/60-45	600 x 450	800 x 650		
CIA1/60-60	600 x 600	800 x 800		
CIA1/75-60	750 x 600	950 x 800		
CIA1/75-75	750 x 750	950 x 950		
CIA1/90-60	900 x 600	1100 x 800		
CIA1/90-90	900 x 900	1100 x 1100		
CIA1/100-100	1000 x 1000	1200 x 1200		
CIA1/SP	*SPECIFY	*SPECIFY		

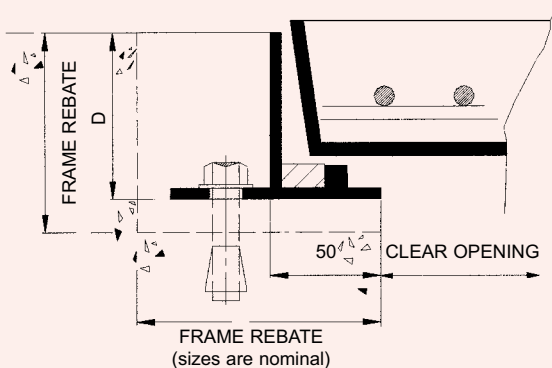
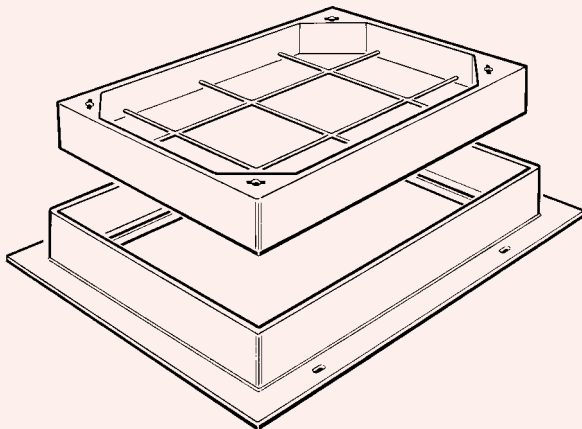
*Alternative sizes available upon request

Typical Accessory Suffixes

A2 Double Seal A3 Plain Seated
Lifting Keys required unless noted otherwise
(For full list of fittings and accessories available with this product see Accessory selector table at end of catalogue).

Ordering Example Code

Code CIA1/60-60/C/A2 = 600 x 600 clear opening, load class C, Double seal with locking bolts. Lifting keys type P2



TYPICAL SECTION THROUGH FRAME
suggested rebate = 110mm x D+15mm

Guide	Facta Class	EN124 Class	SMWL	GLV	Application
	C	C250	6.5 tonne	38 tonne	Carriageways carrying all classes of (fast-moving) traffic but located within 0.5m of the kerb line and up to 0.2m into the footway
	D	D400	11.0 tonne 7.5 tonne Fork Lift Truck	38 tonne	Carriageways, hard shoulders and parking areas for all types of fast moving road vehicles
	E	E600			These load classes are for extra heavy vehicles or special applications. For advice please contact our Technical Department
	F	F900			

JONES

OF OSWESTRY LTD



Whittington Road, Oswestry, Shropshire. SY11 1HZ
Telephone: 01691 653251 Fax: 01691 670227 / 658222

Standard Product Description

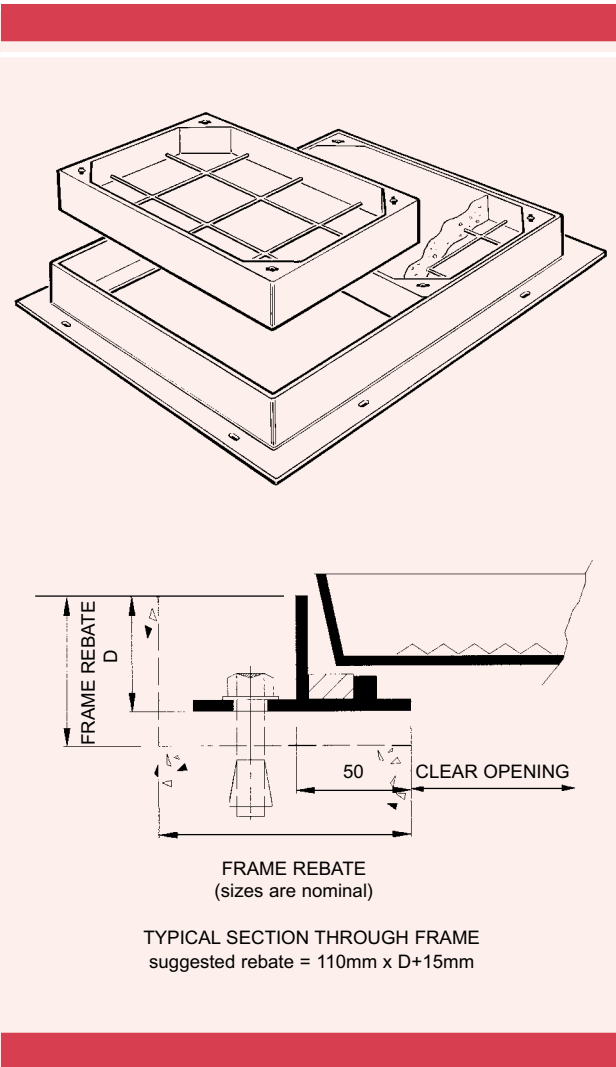
Mild steel single seal recessed twin leaf access cover and frame with lifting points and removable sealing bar.

Materials

Fabricated from heavy gauge steel.

Hot dipped galvanised to minimum B.S.729 in our works.

Optional: Grades 304 or 316 Stainless Steel available upon request.



Product Reference Table

Product Code	Clear Opening (mm)	Overall Frame (mm)	Frame Depth (mm)	
			A Classes	B Class
CIA2/120-60	1200 x 600	1400 x 800	D = 50mm	D = 80mm
CIA2/120-90	1200 x 900	1400 x 1100		
CIA2/120-120	1200 x 1200	1400 x 1400		
CIA2/150-75	1500 x 750	1700 x 950		
CIA2/150-100	1500 x 1000	1700 x 1200		
CIA2/150-120	1500 x 1200	1700 x 1400		
CIA2/180-60	1800 x 600	2000 x 800		
CIA2/180-90	1800 x 900	2000 x 1100		
CIA2/200-100	2000 x 1000	2200 x 1200		
CIA2/SP	*SPECIFY	*SPECIFY		

*Alternative sizes available upon request

Typical Accessory Suffixes

A2 Double Seal B4 Locking down screws E1 Stainless Steel Edging

A3 Plain Seated B3 Turncatch E2 Brass Edging

Lifting Keys required unless noted otherwise

(For full list of fittings and accessories available with this product see Accessory selector table at end of catalogue).

Ordering Example Code

Code CIA2/120-60/AA/A2/B4 = 1200 x 600 clear opening, load class AA, Double seal with locking screws. Lifting keys type P4

Date of issue 5/6/98

Guide	Facta Class	EN124 Class	SMWL	GLV	Application
	A	A15	0.5 tonne	1 tonne	Any area accessible to pedestrians or cycles only
	AA	N/A	1.5 tonne	5 tonne	Any area accessible to slow moving private motor cars
	AAA	N/A	2.5 tonne	10 tonne	Any area accessible to slow moving vehicles up to 10 tonnes GLV
	B	B125	5.0 tonne	38 tonne	Any area accessible to slow moving heavy goods vehicles



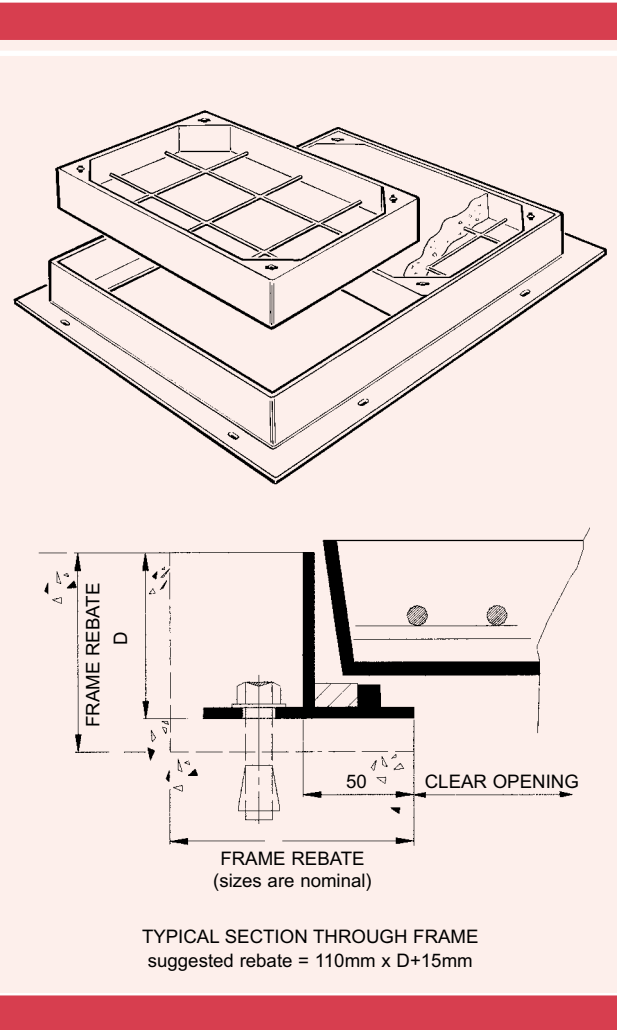
Whittington Road, Oswestry, Shropshire. SY11 1HZ
Telephone: 01691 653251 Fax: 01691 670227 / 658222

Standard Product Description

Mild steel single seal recessed twin leaf access cover and frame with lifting points and removable sealing bar. All units supplied with locking bolts as standard.

Materials

Fabricated from heavy gauge steel.
Hot dipped galvanised to minimum B.S.729 in our works.
Optional: Grades 304 or 316 Stainless Steel available upon request.



Product Reference Table				
Product Code	Clear Opening (mm)	Overall Frame (mm)	Frame Depth (mm)	
			C Class	D Class
CIA2/120-60	1200 x 600	1400 x 800	D = 105mm	D = 105mm
CIA2/120-90	1200 x 900	1400 x 1100		
CIA2/120-120	1200 x 1200	1400 x 1400		
CIA2/150-75	1500 x 750	1700 x 950		
CIA2/150-100	1500 x 1000	1700 x 1200		
CIA2/150-120	1500 x 1200	1700 x 1400		
CIA2/180-60	1800 x 600	2000 x 800		
CIA2/180-90	1800 x 900	2000 x 1100		
CIA2/200-100	2000 x 1000	2200 x 1200		
CIA2/SP	*SPECIFY	*SPECIFY		

*Alternative sizes available upon request

Typical Accessory Suffixes

A2 Double Seal A3 Plain Seated
Lifting Keys required unless noted otherwise
(For full list of fittings and accessories available with this product see Accessory selector table at end of catalogue).

Ordering Example Code

Code CIA2/120-60/C/A2 = 1200 x 600 clear opening, load class C, Double seal. Lifting keys type P2

Guide	Facta Class	EN124 Class	SMWL	GLV	Application
	C	C250	6.5 tonne	38 tonne	Carriageways carrying all classes of (fast-moving) traffic but located within 0.5m of the kerb line and up to 0.2m into the footway
	D	D400	11.0 tonne 7.5 tonne Fork Lift Truck	38 tonne	Carriageways, hard shoulders and parking areas for all types of fast moving road vehicles
	E	E600			These load classes are for extra heavy vehicles or special applications. For advice please contact our Technical Department
	F	F900			

JONES

OF OSWESTRY LTD



Whittington Road, Oswestry, Shropshire. SY11 1HZ
Telephone: 01691 653251 Fax: 01691 670227 / 658222

Standard Product Description

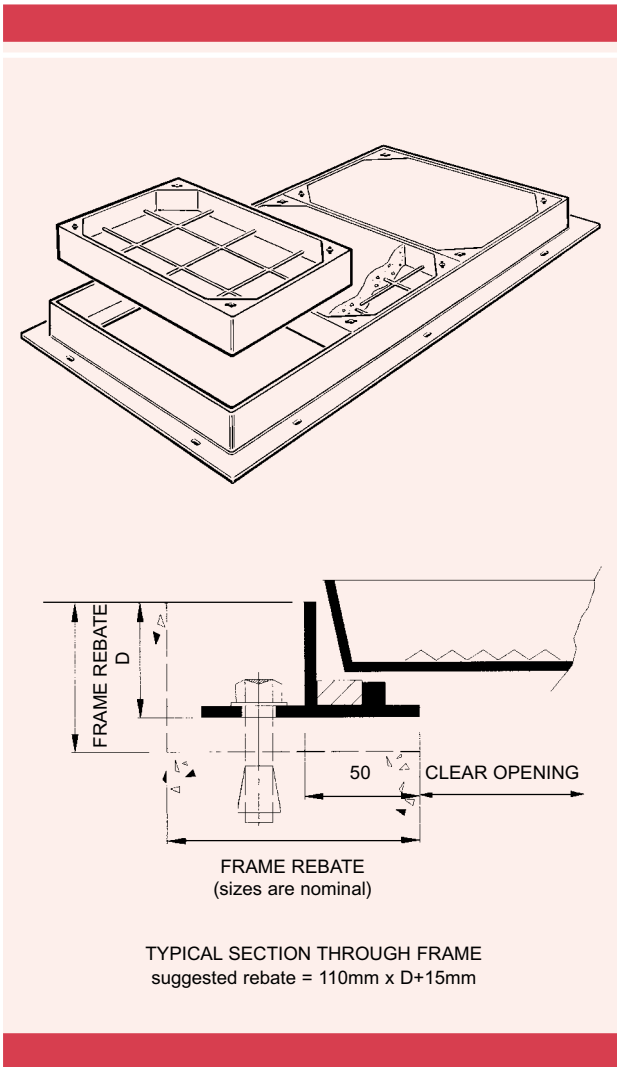
Mild steel single seal recessed triple leaf access cover and frame with lifting points and removable sealing bars.

Materials

Fabricated from heavy gauge steel.

Hot dipped galvanised to minimum B.S.729 in our works.

Optional: Grades 304 or 316 Stainless Steel available upon request.



Product Code	Clear Opening (mm)	Overall Frame (mm)	Frame Depth (mm)	
			A Classes	B Class
CIA3/180-120	1800 x 1200	2000 x 1400	D = 50mm	D = 80mm
CIA3/210-90	2100 x 900	2300 x 1100		
CIA3/210-120	2100 x 1200	2300 x 1400		
CIA3/240-60	2400 x 600	2600 x 800		
CIA3/240-75	2400 x 750	2600 x 950		
CIA3/240-90	2400 x 900	2600 x 1100		
CIA3/240-120	2400 x 1200	2600 x 1400		
CIA3/300-75	3000 x 750	3200 x 950		
CIA3/300-100	3000 x 1000	3200 x 1200		
CIA3/SP	*SPECIFY	*SPECIFY		

*Alternative sizes available upon request

Typical Accessory Suffixes

A2 Double Seal B4 Locking down screws E1 Stainless Steel Edging

A3 Plain Seated B3 Turncatch E2 Brass Edging

Lifting Keys required unless noted otherwise

(For full list of fittings and accessories available with this product see Accessory selector table at end of catalogue).

Ordering Example Code

Code CIA3/180-120/AA/A2/B4 = 1800 x 1200 clear opening, load class AA, Double seal with locking screws. Lifting keys type P4

Date of issue 5/6/98

Guide	Facta Class	EN124 Class	SMWL	GLV	Application
	A	A15	0.5 tonne	1 tonne	Any area accessible to pedestrians or cycles only
	AA	N/A	1.5 tonne	5 tonne	Any area accessible to slow moving private motor cars
	AAA	N/A	2.5 tonne	10 tonne	Any area accessible to slow moving vehicles up to 10 tonnes GLV
	B	B125	5.0 tonne	38 tonne	Any area accessible to slow moving heavy goods vehicles

JONES

OF OSWESTRY LTD



Whittington Road, Oswestry, Shropshire. SY11 1HZ
Telephone: 01691 653251 Fax: 01691 670227 / 658222

Standard Product Description

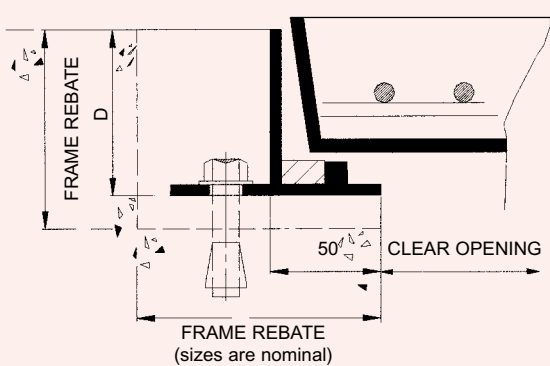
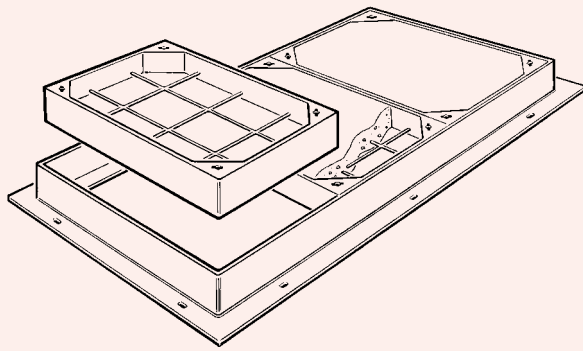
Mild steel single seal recessed triple leaf access cover and frame with lifting points and removable sealing bars. All units supplied with locking bolts as standard.

Materials

Fabricated from heavy gauge steel.

Hot dipped galvanised to minimum B.S.729 in our works.

Optional: Grades 304 or 316 Stainless Steel available upon request.



TYPICAL SECTION THROUGH FRAME
suggested rebate = 110mm x D+15mm

Product Reference Table

Product Code	Clear Opening (mm)	Overall Frame (mm)	Frame Depth (mm)	
			C Class	D Class
CIA3/180-120	1800 x 1200	2000 x 1400	D = 105mm	D = 105mm
CIA3/210-90	2100 x 900	2300 x 1100		
CIA3/210-120	2100 x 1200	2300 x 1400		
CIA3/240-60	2400 x 600	2600 x 800		
CIA3/240-75	2400 x 750	2600 x 950		
CIA3/240-90	2400 x 900	2600 x 1100		
CIA3/240-120	2400 x 1200	2600 x 1400		
CIA3/300-75	3000 x 750	3200 x 950		
CIA3/300-100	3000 x 1000	3200 x 1200		
CIA3/SP	*SPECIFY	*SPECIFY		

*Alternative sizes available upon request

Typical Accessory Suffixes

A2 Double Seal A3 Plain Seated

Lifting Keys required unless noted otherwise

(For full list of fittings and accessories available with this product see Accessory selector table at end of catalogue).

Ordering Example Code

Code CIA3/180-120/C/A2 = 1800 x 1200 clear opening load class C, Double seal. Lifting keys type P2

Guide	Facta Class	EN124 Class	SMWL	GLV	Application
	C	C250	6.5 tonne	38 tonne	Carriageways carrying all classes of (fast-moving) traffic but located within 0.5m of the kerb line and up to 0.2m into the footway
	D	D400	11.0 tonne 7.5 tonne Fork Lift Truck	38 tonne	Carriageways, hard shoulders and parking areas for all types of fast moving road vehicles
	E	E600			These load classes are for extra heavy vehicles or special applications. For advice please contact our Technical Department
	F	F900			

JONES OF OSWESTRY LTD



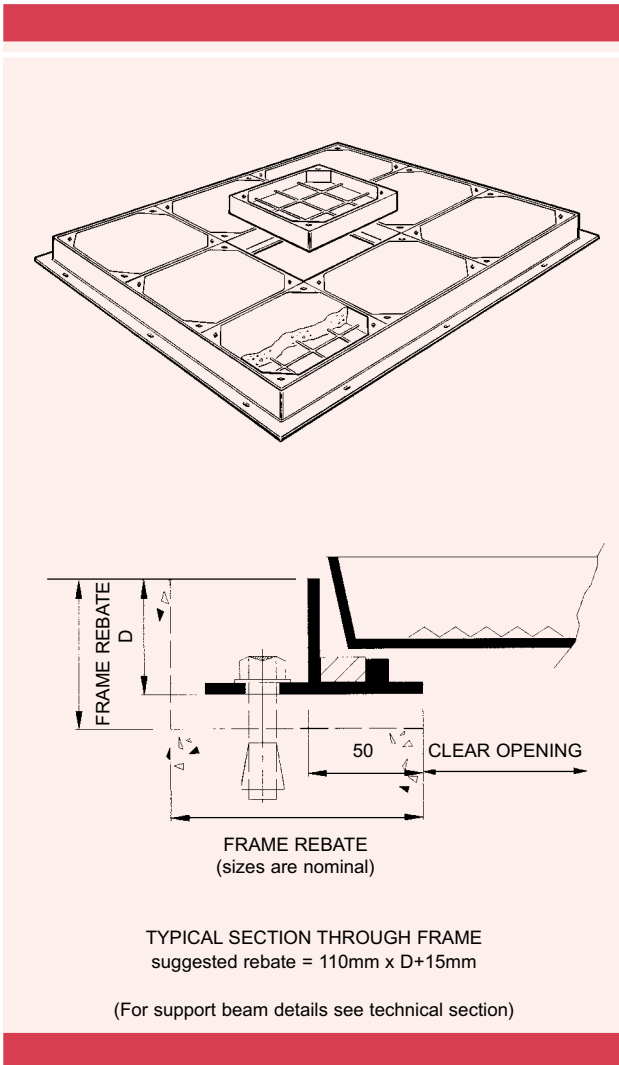
Whittington Road, Oswestry, Shropshire. SY11 1HZ
Telephone: 01691 653251 Fax: 01691 670227 / 658222

Standard Product Description

Mild steel single seal recessed multiple leaf access cover and frame with lifting points and removable sealing bars. Removable support beams supplied where necessary.

Materials

Fabricated from heavy gauge steel.
Hot dipped galvanised to minimum B.S.729 in our works.
Optional: Grades 304 or 316 Stainless Steel available upon request.



Product Reference Table

Product Code	Clear Opening (mm)	Overall Frame (mm)	Frame Depth (mm)	
			A Classes	B Class
CIA8/150-150	1500 x 1500	1700 x 1700	D = 50mm	D = 80mm
CIA8/180-180	1800 x 1800	2000 x 2000		
CIA8/200-200	2000 x 2000	2200 x 2200		
CIA8/240-240	2400 x 2400	2600 x 2600		
CIA8/300-300	3000 x 3000	3200 x 3200		
CIA8/360-360	3600 x 3600	3800 x 3800		
CIA8/400-400	4000 x 4000	4200 x 4200		
CIA8/450-450	4500 x 4500	4700 x 4700		
CIA8/500-500	5000 x 5000	5200 x 5200		
CIA8/SP	*SPECIFY	*SPECIFY		

*Alternative sizes and layouts available upon request

Typical Accessory Suffixes

A2 Double Seal B4 Locking down screws E1 Stainless Steel Edging
A3 Plain Seated B3 Turncatch E2 Brass Edging
Lifting Keys required unless noted otherwise
(For full list of fittings and accessories available with this product see Accessory selector table at end of catalogue).

Ordering Example Code

Code CSA8/150-150/AA/A2/B4 = 1500 x 1500 clear opening, load class AA, Double seal with locking screws. Lifting keys type P4

Date of issue 5/6/98

Guide	Facta Class	EN124 Class	SMWL	GLV	Application
	A	A15	0.5 tonne	1 tonne	Any area accessible to pedestrians or cycles only
	AA	N/A	1.5 tonne	5 tonne	Any area accessible to slow moving private motor cars
	AAA	N/A	2.5 tonne	10 tonne	Any area accessible to slow moving vehicles up to 10 tonnes GLV
	B	B125	5.0 tonne	38 tonne	Any area accessible to slow moving heavy goods vehicles

Standard Product Description

Mild steel single seal recessed multiple leaf access cover and frame with lifting points and removable sealing bars. All units supplied with locking bolts as standard. Removable support beams supplied where necessary.

Materials

Fabricated from heavy gauge steel.
Hot dipped galvanised to minimum B.S.729 in our works.
Optional: Grades 304 or 316 Stainless Steel available upon request.

Product Reference Table

Product Code	Clear Opening (mm)	Overall Frame (mm)	Frame Depth (mm)	
			C Class	D Class
CIA8/150-150	1500 x 1500	1700 x 1700	D = 105mm	D = 105mm
CIA8/180-180	1800 x 1800	2000 x 2000		
CIA8/200-200	2000 x 2000	2200 x 2200		
CIA8/240-240	2400 x 2400	2600 x 2600		
CIA8/300-300	3000 x 3000	3200 x 3200		
CIA8/360-360	3600 x 3600	3800 x 3800		
CIA8/400-400	4000 x 4000	4200 x 4200		
CIA8/450-450	4500 x 4500	4700 x 4700		
CIA8/500-500	5000 x 5000	5200 x 5200		
CIA8/SP	*SPECIFY	*SPECIFY		

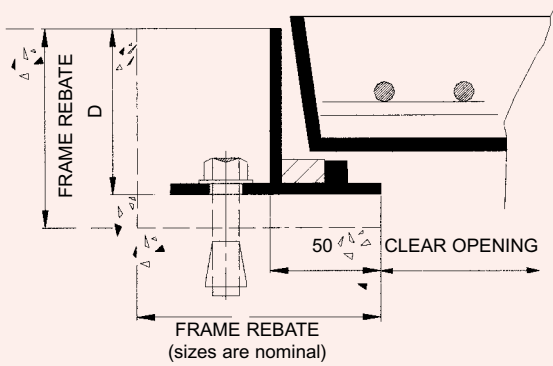
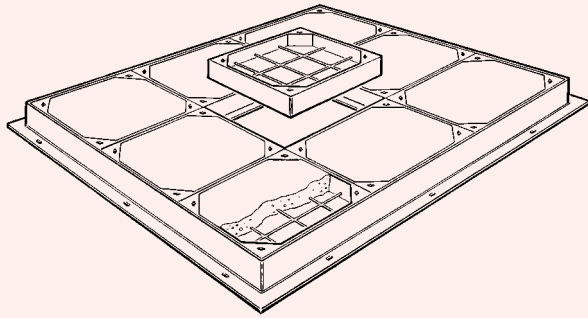
*Alternative sizes and layouts available upon request

Typical Accessory Suffixes

A2 Double Seal A3 Plain Seated
Lifting Keys required unless noted otherwise
(For full list of fittings and accessories available with this product see Accessory selector table at end of catalogue).

Ordering Example Code

Code CSA8/150-150/C/A2 = 1500 x 1500 clear opening, load class C, Double seal. Lifting keys type P2



TYPICAL SECTION THROUGH FRAME
suggested rebate = 110mm x D+15mm

(For support beam details see Technical Section)

Guide	Facta Class	EN124 Class	SMWL	GLV	Application
	C	C250	6.5 tonne	38 tonne	Carriageways carrying all classes of (fast-moving) traffic but located within 0.5m of the kerb line and up to 0.2m into the footway
	D	D400	11.0 tonne 7.5 tonne Fork Lift Truck	38 tonne	Carriageways, hard shoulders and parking areas for all types of fast moving road vehicles
	E	E600			These load classes are for extra heavy vehicles or special applications. For advice please contact our Technical Department
	F	F900			

JONES

OF OSWESTRY LTD



Whittington Road, Oswestry, Shropshire. SY11 1HZ
Telephone: 01691 653251 Fax: 01691 670227 / 658222

Standard Product Description

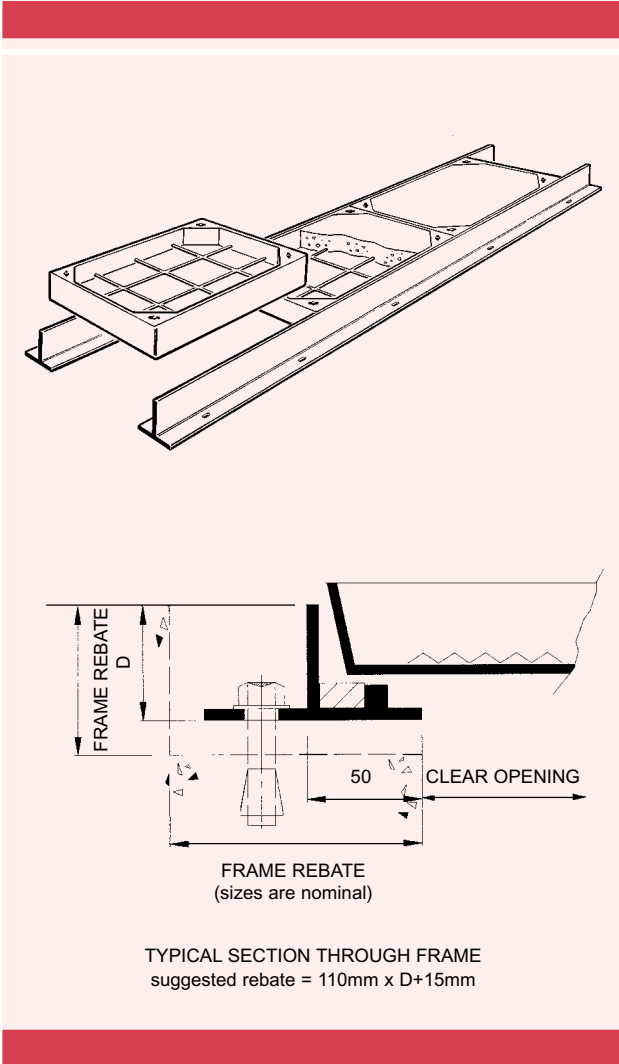
Mild steel single seal recessed continuous duct access cover and frame with lifting points and removable sealing bars.

Materials

Fabricated from heavy gauge steel.

Hot dipped galvanised to minimum B.S.729 in our works.

Optional: Grades 304 or 316 Stainless Steel available upon request.



Product Code	Clear Opening (mm)	Overall Frame (mm)	Frame Depth (mm)	
			A Classes	B Class
CIA9/150	150	350	D = 50mm	D = 80mm
CIA9/225	225	425		
CIA9/300	300	500		
CIA9/450	450	650		
CIA9/600	600	800		
CIA9/750	750	950		
CIA9/900	900	1100		
CIA9/1000	1000	1200		
CIA9/1200	1200	1400		
CIA9/SP	*SPECIFY	*SPECIFY		

*Alternative sizes and layouts available upon request

Typical Accessory Suffixes

A2 Double Seal B4 Locking down screws E1 Stainless Steel Edging

A3 Plain Seated B3 Turncatch E2 Brass Edging

Lifting Keys required unless noted otherwise

(For full list of fittings and accessories available with this product see Accessory selector table at end of catalogue).

Ordering Example Code

Code CIA9/150/AA/A2/B4 = 150 clear opening, load class AA, Double seal with locking screws. Lifting keys type P4

Date of issue 5/6/98

Guide	Facta Class	EN124 Class	SMWL	GLV	Application
	A	A15	0.5 tonne	1 tonne	Any area accessible to pedestrians or cycles only
	AA	N/A	1.5 tonne	5 tonne	Any area accessible to slow moving private motor cars
	AAA	N/A	2.5 tonne	10 tonne	Any area accessible to slow moving vehicles up to 10 tonnes GLV
	B	B125	5.0 tonne	38 tonne	Any area accessible to slow moving heavy goods vehicles

JONES OF OSWESTRY LTD



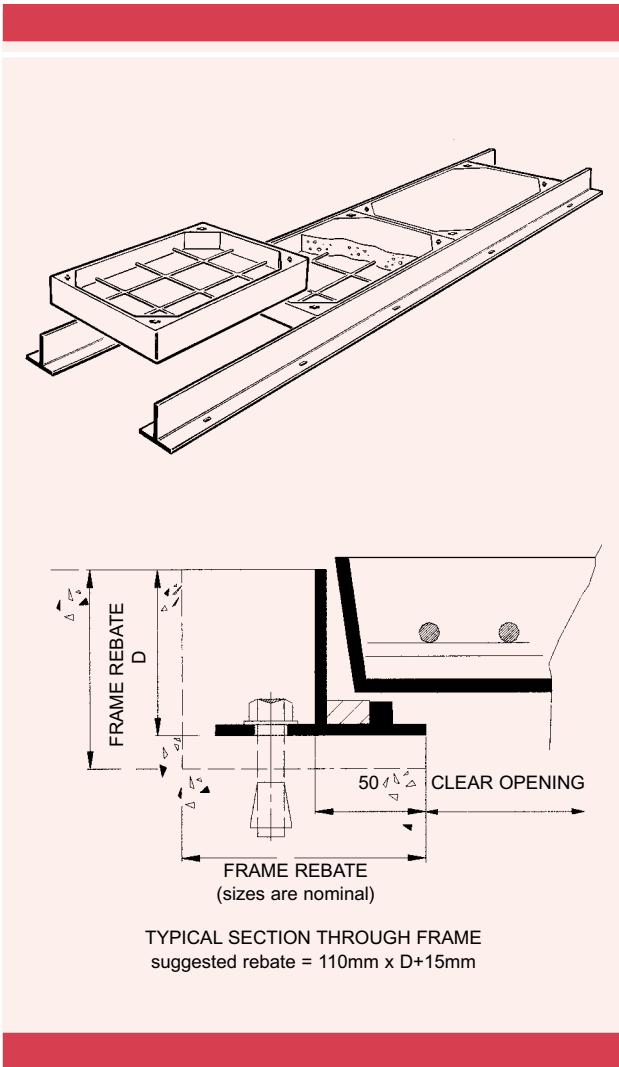
Whittington Road, Oswestry, Shropshire. SY11 1HZ
Telephone: 01691 653251 Fax: 01691 670227 / 658222

Standard Product Description

Mild steel single seal recessed continuous duct access cover and frame with lifting points and removable sealing bars. All units supplied with locking bolts as standard.

Materials

Fabricated from heavy gauge steel.
Hot dipped galvanised to minimum B.S.729 in our works.
Optional: Grades 304 or 316 Stainless Steel available upon request.



Product Reference Table				
Product Code	Clear Opening (mm)	Overall Frame (mm)	Frame Depth (mm)	
			C Class	D Class
CIA9/150	150	350	D = 105mm	D = 105mm
CIA9/225	225	425		
CIA9/300	300	500		
CIA9/450	450	650		
CIA9/600	600	800		
CIA9/750	750	950		
CIA9/900	900	1100		
CIA9/1000	1000	1200		
CIA9/1200	1200	1400		
CIA9/SP	*SPECIFY	*SPECIFY		

*Alternative sizes and layouts available upon request

Typical Accessory Suffixes

A2 Double Seal A3 Plain Seated
Lifting Keys required unless noted otherwise
(For full list of fittings and accessories available with this product see Accessory selector table at end of catalogue).

Ordering Example Code

Code CIA9/150/C/A2 = 150 clear opening, load class C, Double seal with locking bolts. Lifting keys type P2

Guide	Facta Class	EN124 Class	SMWL	GLV	Application
	C	C250	6.5 tonne	38 tonne	Carriageways carrying all classes of (fast-moving) traffic but located within 0.5m of the kerb line and up to 0.2m into the footway
	D	D400	11.0 tonne 7.5 tonne Fork Lift Truck	38 tonne	Carriageways, hard shoulders and parking areas for all types of fast moving road vehicles
	E	E600			These load classes are for extra heavy vehicles or special applications. For advice please contact our Technical Department
	F	F900			